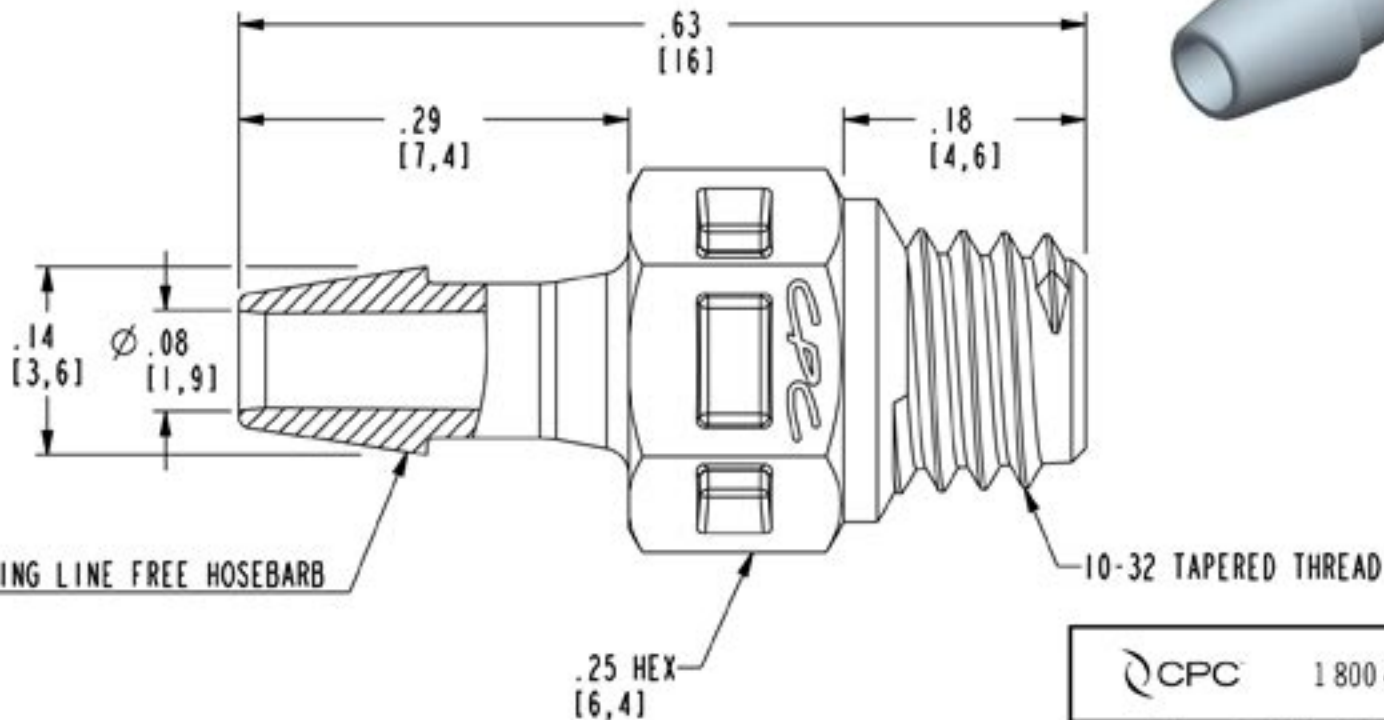


DWG NO: MS331-CUST

NOTES:

1 MATERIAL: NYLON
FDA 21 CFR 177.1500
RoHS COMPLIANT
COLOR: BLACK



CPC 1 800 444 2474 cpcworldwide.com

PROJECT 7362	3/32 HB X #10-32 UNF TAPERED (CUSTOMER DRAWING)		
DWG BY: VS	DATE: 07/13/09	CHKD BY:	
MATL/FIN: SEE NOTE 1		DWG NO: MS331-CUST	